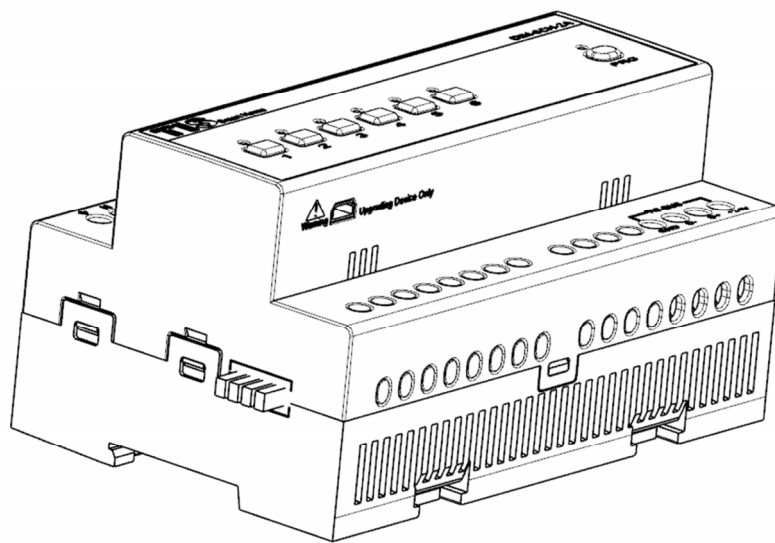


## **TIS Leading Edge Dimmer 6 Channels 2 Amps**

Model: DIM-6CH-2A

Data Sheet Rev 1.2



### **Safety instructions**

Electrical equipment may only be installed and fitted by electrically skilled persons. Failure to observe the instructions may cause damage to the device and other hazards. These instructions are an integral part of the product, and must remain with the end customer.

### **Basic information**

This device is a product of the TIS system. It is a DIN-rail mountable device with 6 independent dimmer channels which can be controlled separately with TIS protocol messages, technical knowledge obtained in TIS training courses is a prerequisite to proper understanding how to install device. Basic Manual Programming can be done without the software. Advanced Programming knowledge about software obtained in the advanced training courses.

### **Intended use**

Control lighting, e.g. light on/off, dimming, brightness values, scene, and sequence. It can be used for all dimmable lamps and transformers.

## Product characteristics

<b>Outputs</b>	Number of channels Nominal voltage Nominal current per channel Maximum total channels load	6 80 – 230 V AC 50/60 Hz 2 A 10 A
<b>TIS Bus</b>	Number of devices on 1 line Bus voltage Current consumption Protection	Max. 64 12-32 V DC <35 mA / 24 V DC Reverse Polarity Protection
<b>Protection</b>	Over current Over heat Over load Heat sink	6* internal Fuse aR class 4A Internal temp sensor protection Dimmer coil max load up to 4A Aluminum alloy with straight fin
<b>Reaction time</b>		approx. 20ms
<b>Mounting</b>	Din Rail Wall mount	Standard 35 mm Din rail screw holder on the back of the module
<b>Connection terminal</b>	Load and Power Data / bus	Screw terminal 0,25...4mm <sup>2</sup> Male female connectors Link + screw Terminal
<b>Operating and display elements</b>	Programming button/LED 1-6 buttons By TIS bus Programming Upgrading	For assignment of the physical address Manually ON/OFF and Programming TIS Protocol messages and commands Manual basic Prog, or by software. 1 X mini USB for up to date upgrading.
<b>Functions</b>	Lighting control ON/OFF Dimming Scenes Sequences	6 channel controlled separately 12 different scenarios 6 different sequences
<b>Weight</b>	Without packaging	0.6 KG
<b>Dimensions</b>	Width x length x height	91mm x 145mm x 75mm
<b>Housing</b>	Materials Casing color Button color	ABS anti fire Black Gray Silver
<b>Temperature range</b>	Operation Storage Transport	-10...45°C -20...50°C -25...75°C
<b>Air humidity</b>		<85% non-condensing

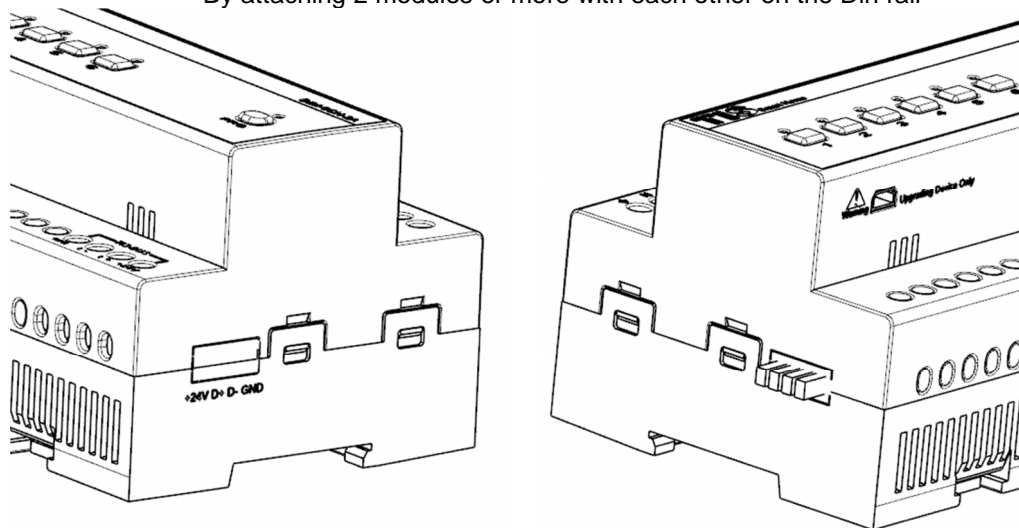
## Wiring diagram

### Data connection

TIS Bus connection can be done by 2 ways

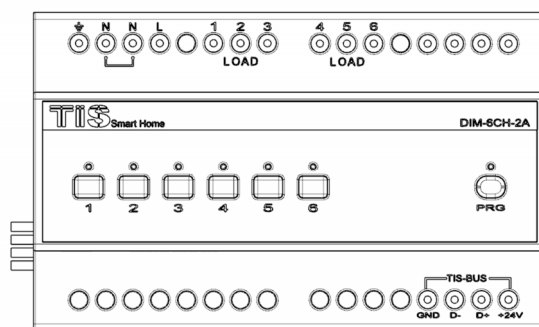
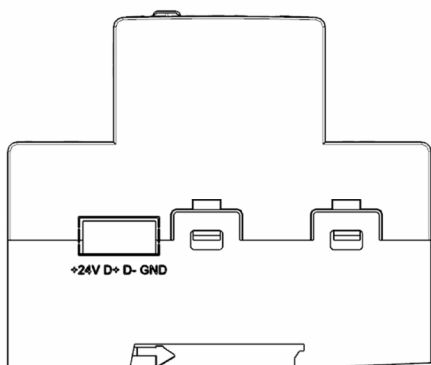
#### A- Train Connector

By attaching 2 modules or more with each other on the Din rail



#### B- Screw terminals connection

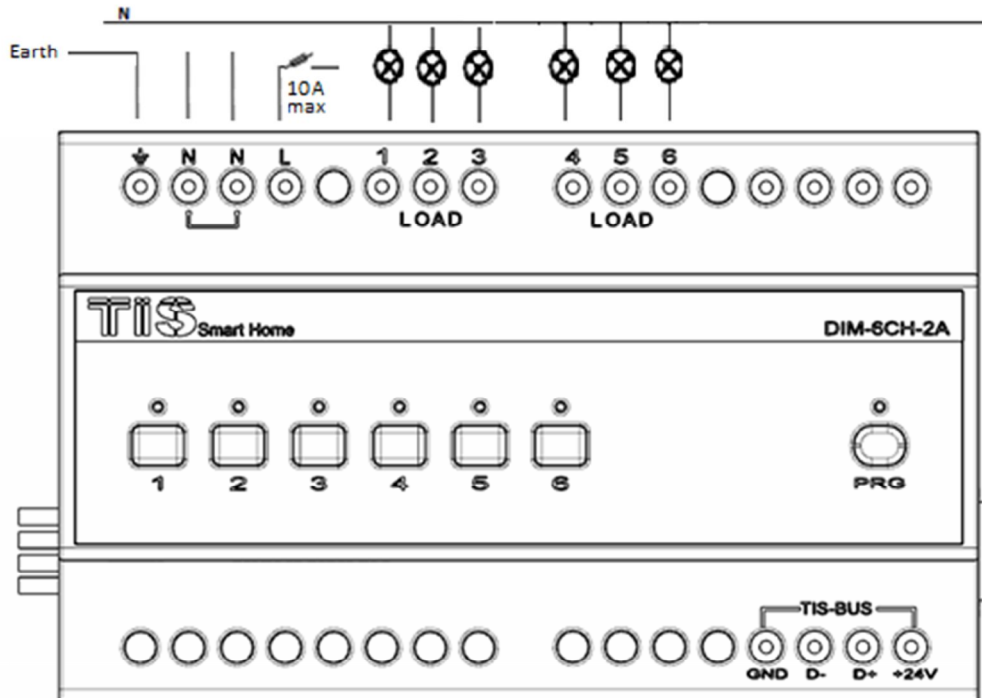
By using the Cat5e cable to connect to TIS bus 4 terminals (24V, D+, D-, GND)



Recomanded UTP cat5e color connection

- 24V – Orange
- D+ – Blue
- D- – White Blue
- GND – White Orange

## Electrical wire Connections:



Nutral /Phase connection (N/L):	4 mm electrical wire
Load connection (1,2,3,4) :	1.5 or 2.5 mm electrical wire.
Earth connection:	2.5 or 4 mm electrical wire.

## Warranty

We provide a warranty as provided for by law.

Hologram warranty seal and product serial number is provided by each device.

Please send the description of the defect with Product S/N to our dealer network.

[info@tissmarthome.com](mailto:info@tissmarthome.com)

[www.tissmarthome.com](http://www.tissmarthome.com)